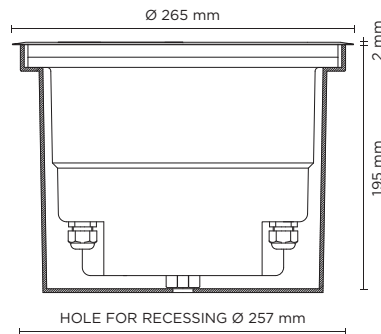




201034

HYDROFLOOR MAXI

Round ground-recessed luminaire for outdoor installation, Phospho-chromatised and polyester powder coated die-cast copper-free aluminium body and stainless steel AISI 304 frame, tempered safety glass, moulded silicone gasket. Built-in LED driver 220-240V 50-60Hz, with 8 CREE XP-G3 LED. IP67 rating.



| light source | light beam options | lumen output (lm) | lumin. efficacy (lm/w) |
|-----------------------------|--------------------|-------------------|------------------------|
| 3000°K warm-white | | | |
| high-power led | 10° | 1.152 | 96.00 |
| high-power led | 30° | 1.095 | 91.25 |
| high-power led | 45° | 1.040 | 86.67 |
| 4000°K neutral-white | | | |
| high-power led | 10° | 1.200 | 100.00 |
| high-power led | 30° | 1.140 | 95.00 |
| high-power led | 45° | 1.083 | 90.25 |

Finish color options:

 Stainless Steel (on request)

Technical features



Technical data

| | |
|--------------------------|--|
| Wattage | 12 WATT |
| IP Rating | IP67 |
| IK Rating | IK10 |
| Material | High corrosion resistance die-cast copper-free aluminum body |
| Trim | Stainless steel AISI 304 |
| Coating | Polyester powder coating with phosphochromating pre-finish |
| Light source | NR. 8 x 1.5W CREE "XP-G3" LED |
| Screws | Stainless steel |
| Transformer | Electronic power supply 220/240V 50/60Hz built-in |
| Static weight resistance | Max 5000 Kg |
| Gasket | Silicone rubber |
| Glass | Tempered |
| Cable gland | Double M20 |
| Adjustable | +/- 15 degrees |
| Power cable | 1 mt. neoprene power cable included |
| Gross weight | 5,00 Kg |
| Included | Polypropilene recessing box included |

HydroFloor MAXI LED SQUARE available on request



LAREN O